

Bench Top Extraction Kits

Nederman Bench Top Extraction kits provide a quick and convenient solution for creating a fume-free workplace.



Bench Top Extraction Kits




The Bench Top extraction kits include arm(s) with hood or nozzle, fan with speed control, and a multi-layer standard filter for particle and odor removal with integrated HEPA for high-efficiency filtration, along with hose, connection details, and table bracket. The speed of the fan is variably controlled by a speed controller. Complete with hoses and extraction hoods. The hood is made of clear plastic, which increases the visibility.

Bench Top Extraction Kits








[ProductCertifications]

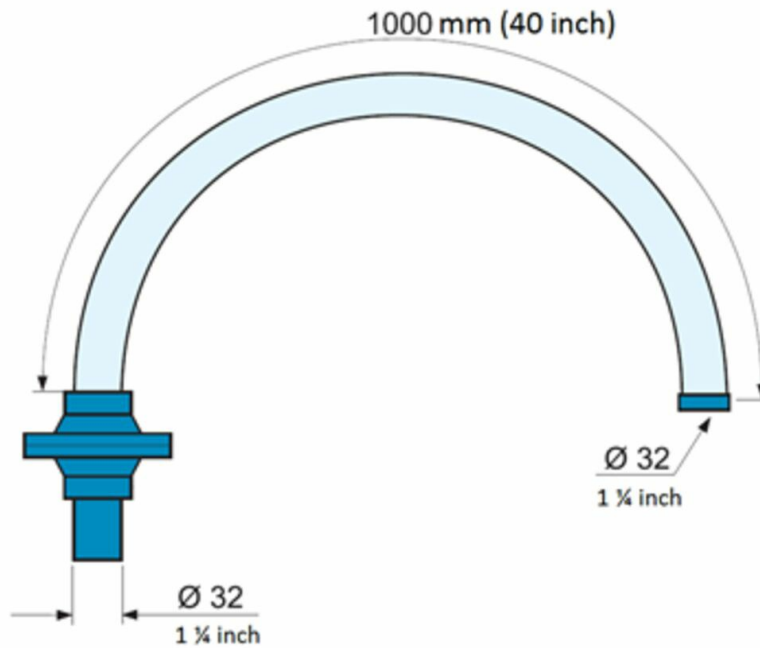
[ce]

Models

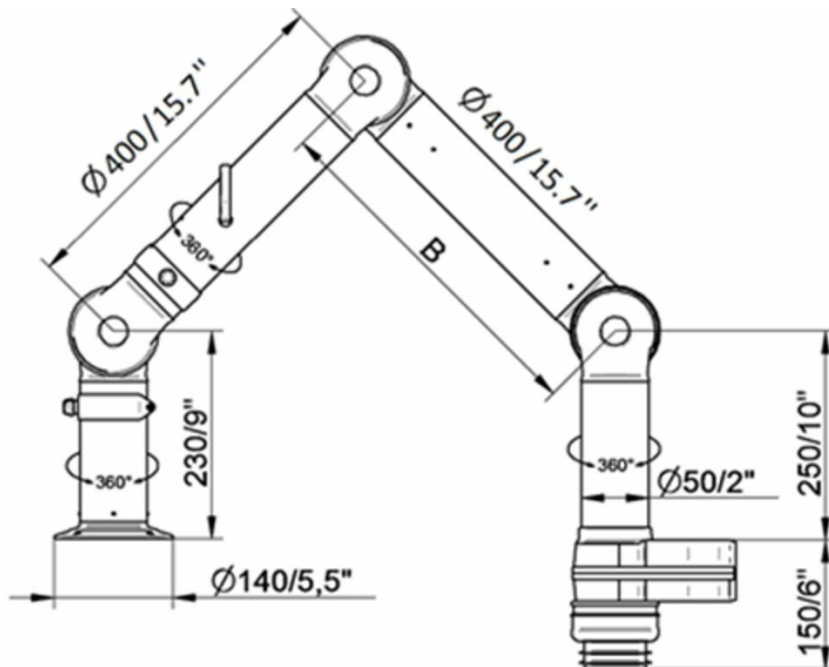
	Item no	Power voltage (V)	Frequency (Hz)	Electric plug	Weight (kg)	Power (kW)
	70509544	220 - 240	50 / 60	[without]	13	0,12
	70509644	220 - 240	50 / 60	[without]	15	0,12
	70509444	220 - 240	50 / 60	[without]	14	0,12

Accessories

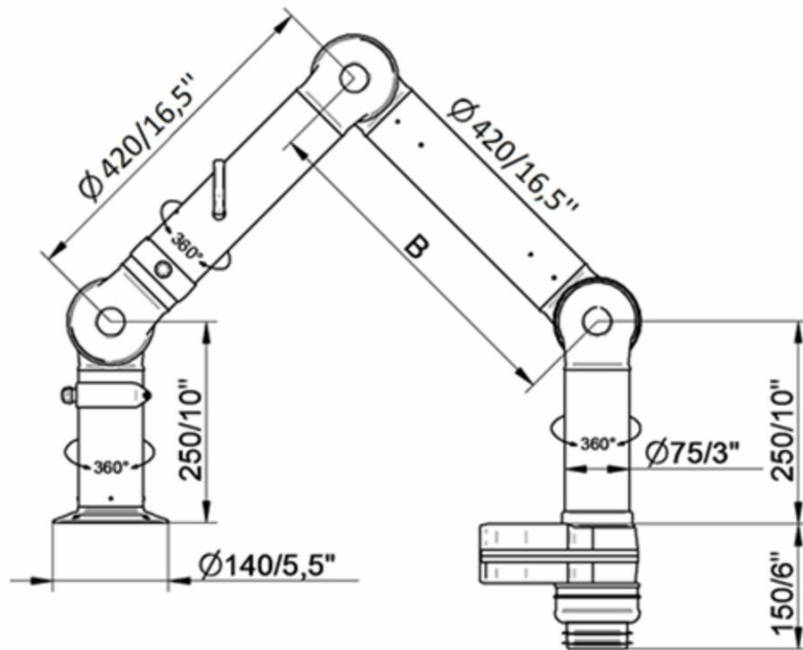
	Accessory	Item no
	FX-Combi hood-ORIGINAL-D50/75/100	70500144
	FX-Dome hood-ORIGINAL-D50/75/100	70376982
	FX-Metal hood-ORIG/CHEM-D50/75/100.	70500444
	FX-Flange hood-ORIGINAL-D50/75/100	70502844
	N3 fan Standard replacement filter 1,5 kg active carbon and 2,5 m2 HEPA 13 filter area.	70311427
	N3 fan replacement filter gas, 4 kg active carbon	70312427
	Pre filter EK 1000-3000 1 pcs.	70333007



EK 500 Arm(s): 1 x FX 32 arm Hood(s): 1 x dome hood 1/2 Hose: Ø 45 mm (1 1/4 inch), 3000 mm (118 inch) length Max. airflow: 45 m³/h (26.5 cfm) EK 1000 Arm(s): 2 x FX 32 arm Hood(s): 2 x dome hood 1/2 Hose: Ø 45 mm (1 1/4 inch), 3000 mm (118 inch) length Max. airflow: 42 m³/h (25 cfm) EK 1500 Arm(s): 3 x FX 32 arm Hood(s): 3 x dome hood 1/2 Hose: Ø 45 mm (1 1/4 inch), 3000 mm (118 inch) length Max. airflow: 38 m³/h (22.4 cfm)



EK 2000 Arm(s): 1 x FX2 50 arm Hood(s): 1 x combination hood Hose: Ø 75 mm (3 inch), 3000 mm (118 inch) length Max. airflow: 100 m³/h (58.8 cfm) EK 2500 Arm(s): 2 x FX2 50 arm Hood(s): 2 x mini hood Hose: Ø 75 mm (3 inch), 3000 mm (118 inch) length Max. airflow: 75 m³/h (44 cfm)



EK 3000 Arm(s): 1 x FX2 75 arm Hood(s): 1 x mini hood Hose: $\text{Ø} 100 \text{ mm}$ (4 inch), 3000 mm (118 inch) length Max. airflow: 150 m³/h (88.3 cfm)