

FlexFilter EX

A state of the art filter system to meet your current and future needs



FlexFilter EX

- ✓ A state of the art filter system to meet your current and future needs
- ✓ Equipped with an explosion relief panel
- ✓ Standard 70L bin with antistatic plastic bag, or conductive bulk bag fitted to a fully automatic emptying device
- ✓ Designed for ISO 21904 compliance

The Flexfilter EX is manufactured to withstand overpressure from a potential explosion and is equipped with an explosion relief panel. The harmful effects of an explosion are minimized by venting the overpressure and flame propagation via the relief panel to a safe area. The dust collector is fully earth bonded in all modular components. All electric equipment is EX classified for combustible dust. Options are available for the collected dust from either a standard 70L (18 gal) collection bin complete with bin balance kit to allow the use of conductive plastic sack for ease of removal of the collected dust or fully automatic empty device with fully conductive bulk bag with earth cables for larger installations. A control filter comes as standard to allow the use of non-EX rated vacuum units.

Permitted materials:

It is of outmost importance to know the properties of the extracted material. The FlexFilter EX is intended to be a part of an extraction system collecting material with the following properties:

- Dust explosion class: St1 and St2
- Pmax: ≤ 10 bar
- MIE (Minimum Ignition Energy) < 1 mJ
- MIT (Minimum Ignition Temperature) > 205 °C

Product marking:

The FlexFilter EX is ATEX classified according to directive 2014/34/EU and marked:

II 3D Ex h III C T130°C Dc




$-10^{\circ}\text{C} \leq T_a \leq 40^{\circ}\text{C}$

Nederman 19.HB01X














FlexFilter EX

[ProductCertifications]	[ce], [ex]
[ProductStandards]	2014/34/EC
[ProductInstallation]	[Outdoor]
Material	Sheet metal
[ProductSuitableForCombustableDust]	True
Filter cleaning method	[ReverseAirPulse]
Application	[dust], [granulate], [grit], [fumes]
Filter Area (ft²)	130











Models

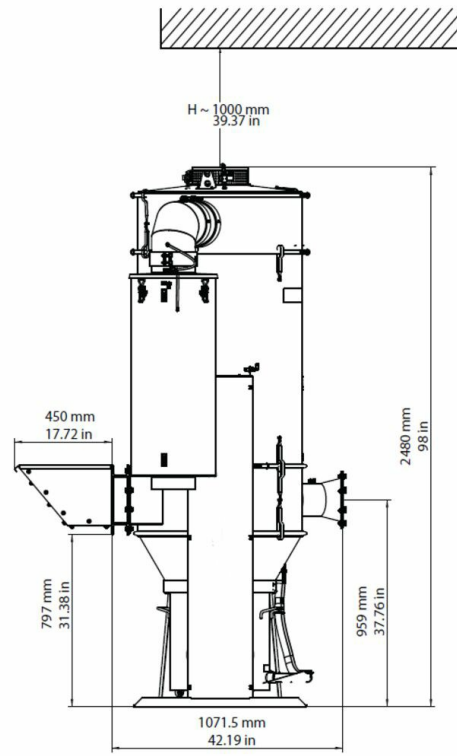
	Item no	Filter type	Number of filter elements	Weight (lbs)
	40118943	[bag]	1	562
	40118983	[bag]	2	1069
	40118982	[bag]	2	1874

Accessories

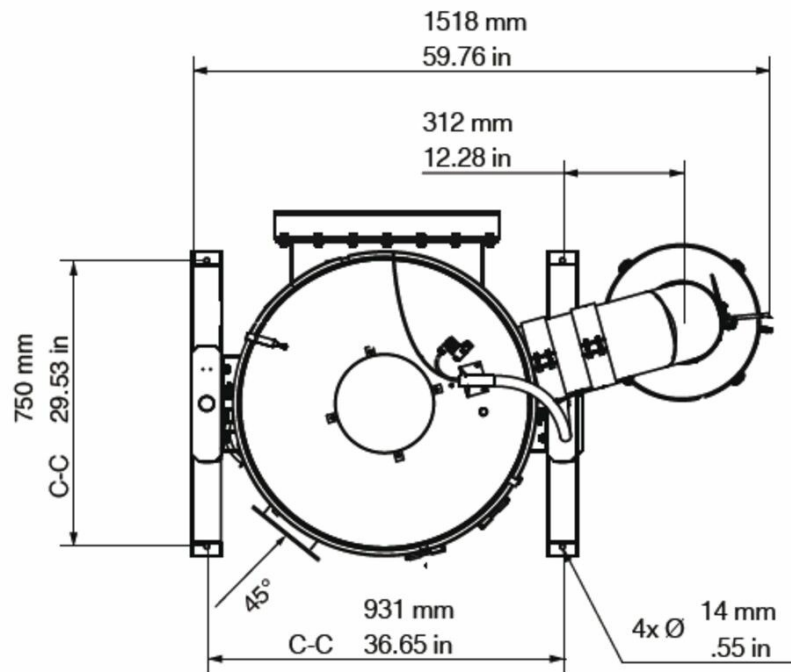
	Accessory	Item no
	Explosion Valve Deflector - 9 in x 21 in (220 mm x 540 mm) for FlexFilter and FlexPak/DX	40376771
	Deflector	40375004
	FlexFilter Twin High Support Legs	40375242
	Legs Twin High	40375243
	FlexFilter Single Extra High Support Legs	40375244
	FlexFilter Single High Legs	40375245
	Service Platform for FlexFilter EX TWIN	40375246
	Service Platform for FlexFilter EX Single	40375247
	Ladder with hoop guard for FlexFilter EX Service Platform	40375248
	Connection kit for Service platform, used to connect 2 or more service platforms.	40375249
	Twin RF Kit	40375259
	Flanged pipe d150, 0,5m	40376525
	Flanged Pipe - Diameter = 6 in (150 mm) Length = 3 ft (1 m)	40375263

Accessories

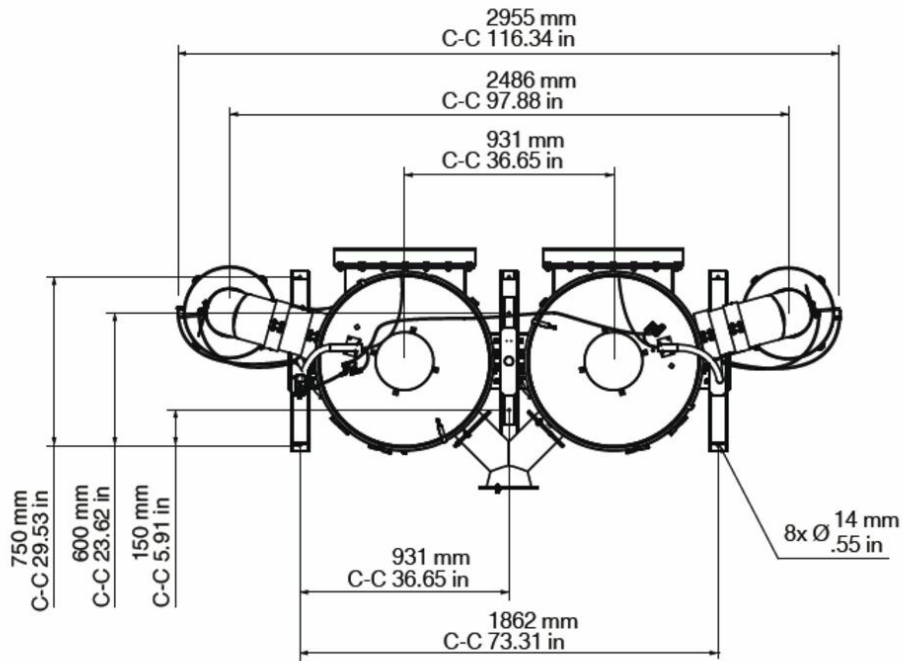
	Accessory	Item no
	Flanged pipe dia 200mm, length 0,5m	40376516
	High Vac Galv Flanged 45 Degree Pipe Elbow - D = 6 in (150 mm) for use between B-flap Isolation Valve and unit	40376770
	Flanged 90° Pipe Elbow - Diameter = 6 in (150 mm)	40375264
	BigBag PP Type C for FlexFilter EX - Qty = 25 pcs	40375271
	Differential Pressure Switch NC - 3-15 kPa for FlexPAK and FlexFilter	40375273
	BLI EX - Bin Level Indicator - ATEX	40375269
	Standby Mode Safety Overheat/Fire Sensor Alarm Shutoff for FlexFilter and FlexPak incl. EX and DX - Activates at 300 OF (150 OC)	40116540
	Replacement Plastic Bags for FlexFilter and FlexPAK - 29 in x 35 in (730 mm x 900 mm) - 20pcs	40118800
	High Vac Flanged Transition Pipe DN200 B-Flap - 200 mm	40376974
	High Vac Adapter Flange DN200 B-Flap	40376977



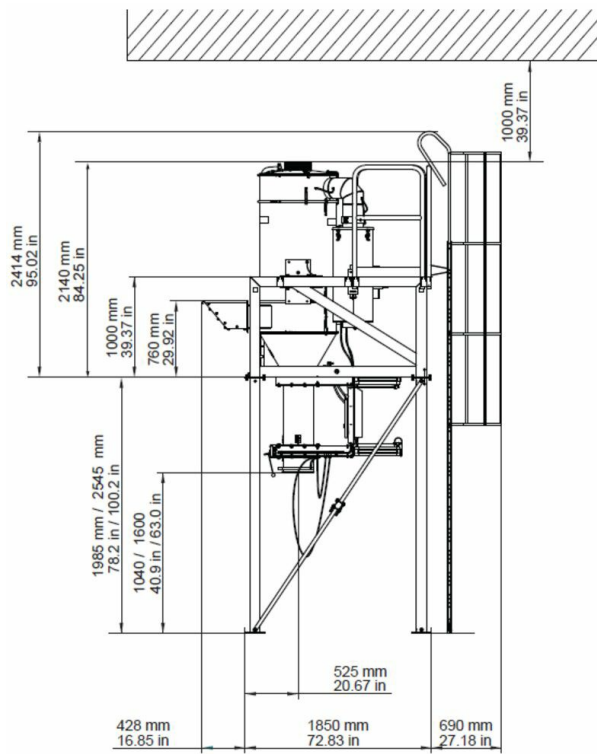
FlexFilter Single & Twin Low Stand



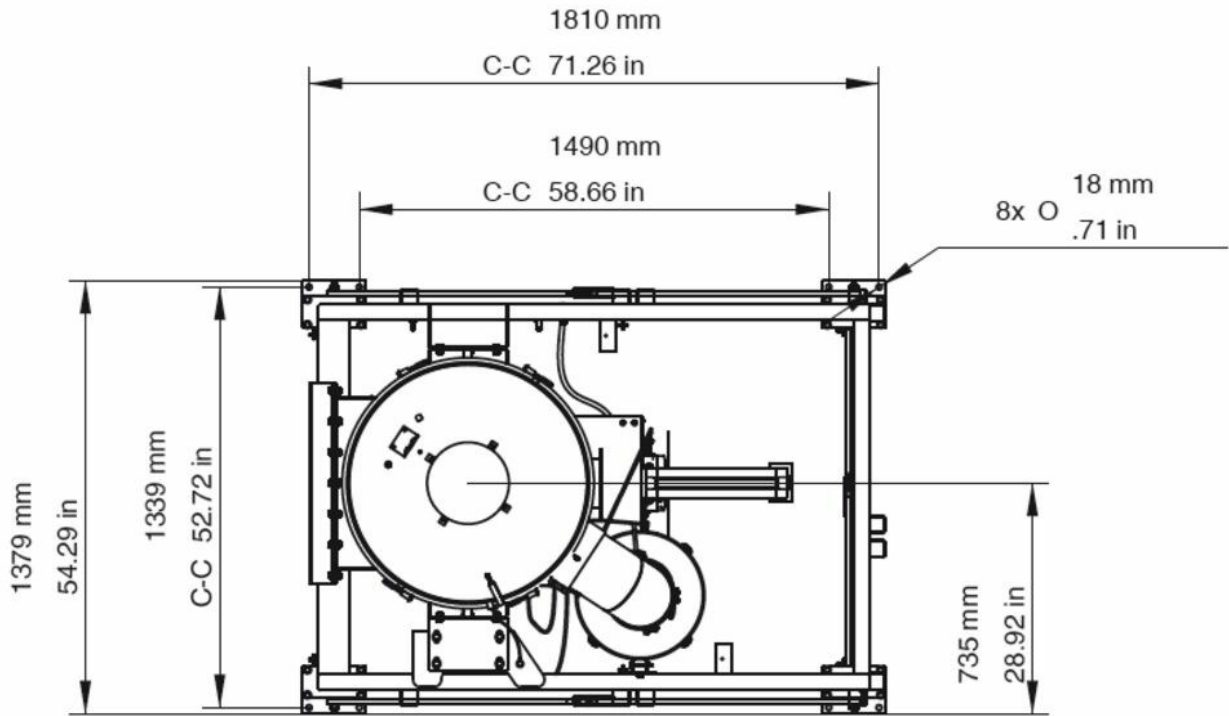
FlexFilter Single Low Stand



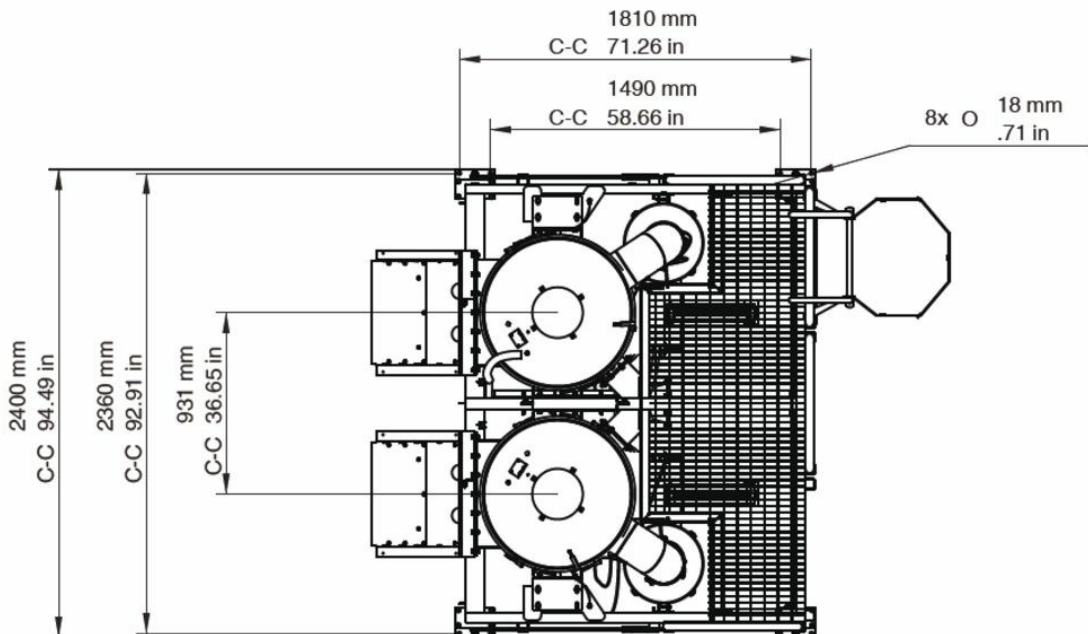
FlexFilter Twin Low Stand



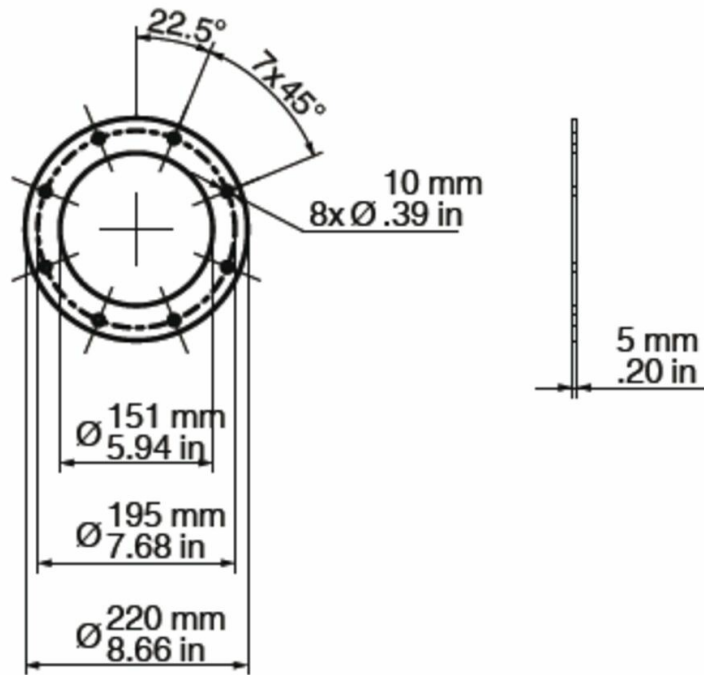
FlexFilter Single & Twin High Stand



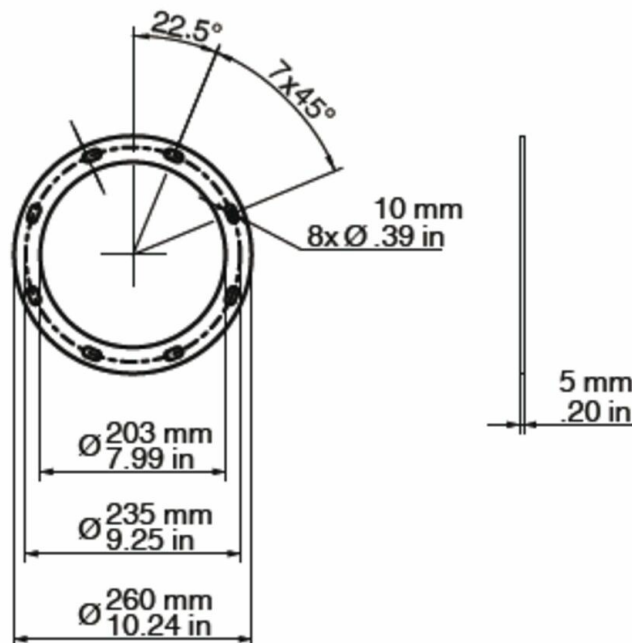
FlexFilter Single High Stand



FlexFilter Twin High Stand



FlexFilter Inlet Single Low & High Stand



FlexFilter Inlet Twin Low & High Stand