

FMC(Z) cartridge filter

Compact cartridge filter equipped with explosion membranes for solving combustible dust problems within a wide range of industries.



FMC(Z) cartridge filter

- ✓ Antistatic cartridges mandatory: CA 140
- ✓ Inspection and change of the filter cartridges can take place within a few minutes.
- ✓ Front service of the cleaning valves, the controller, the compressed air tank and the filter cartridges.
- ✓ Intelligent ECO-efficient filter controller minimize maintenance and energy costs.
- ✓ Quick release waste bin














The FMCZ200 filter is a compact cartridge filter equipped with explosion membranes. The filter is ideal for solving dust problems within a wide range of industries where there is dust with a potential explosion hazard (St1, St2 or St3 dust up to KSt-value = 600 bar*m/s). The filter is designed for an outdoor location.

The FMCZ200 filter is designed for explosive dust and contains a type certificate by a Notified Body under the ATEX directive. The certificate identifies the interior raw gas section of the filter as zone 20 and the interior clean gas section as zone 22. The filter allows a pred,max up to 0,3 bar.




FMC(Z) cartridge filter

证书	CE, EX
适用于易爆粉尘	True
清灰方式	脉冲清灰
应用	烟气, 粉尘










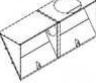
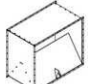


模型

	项目编号	除尘器类型	滤芯数量
	FMC(Z)200-2Ls	滤筒式过滤器	8
	FMC(Z)200-2Lc	滤筒式过滤器	8
	FMC(Z)200-4Ls	滤筒式过滤器	16
	FMC(Z)200-4Lc	滤筒式过滤器	16
	FMC(Z)200-6Ls	滤筒式过滤器	24
	FMC(Z)200-6Lc	滤筒式过滤器	24
	FMC(Z)200-8Ls	滤筒式过滤器	32
	FMC(Z)200-8Lc	滤筒式过滤器	32
	FMC(Z)200-2As	滤筒式过滤器	8
	FMC(Z)200-2Ac	滤筒式过滤器	8
	FMC(Z)200-4As	滤筒式过滤器	16
	FMC(Z)200-4Ac	滤筒式过滤器	16
	FMC(Z)200-6As	滤筒式过滤器	24



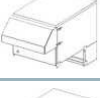
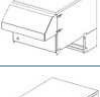




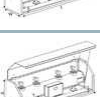



模型

	项目编号	除尘器类型	滤芯数量
	FMC(Z)200-6Ac	滤筒式过滤器	24
	FMC(Z)200-8As	滤筒式过滤器	32
	FMC(Z)200-8Ac	滤筒式过滤器	32


配件

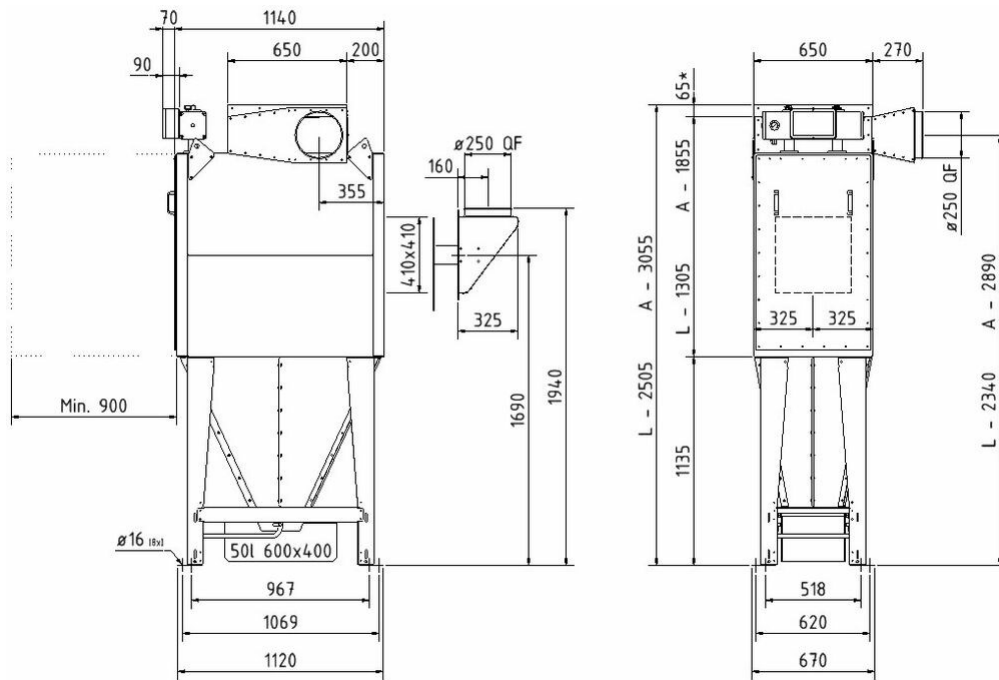
	配件	项目编号
	Damper type NFUS3	5501395
	Discharge bin 50 l with wheels	5501274
	Discharge bin 50 l without wheels	5501273
	Discharge bin 100 l with wheels	5501275
	Adaptor for bin with bag	5505033
	Adaptor for 50 l bin with bag incl. fitting	5505034
	Adaptor for 100 l bin with bag incl. fitting	5505035
	Hose set for bin balancing	5505041
	Single backpack for 4 modules	5509660
	Single backpack for 8 modules round inlet from the top pos L	5501169
	Double backpack for 4 modules	5509661
	DUAL silencer for FM600 series fan with air grille	5501813
	DUAL silencer for FM6800 series fan with air grille	5501830

配件

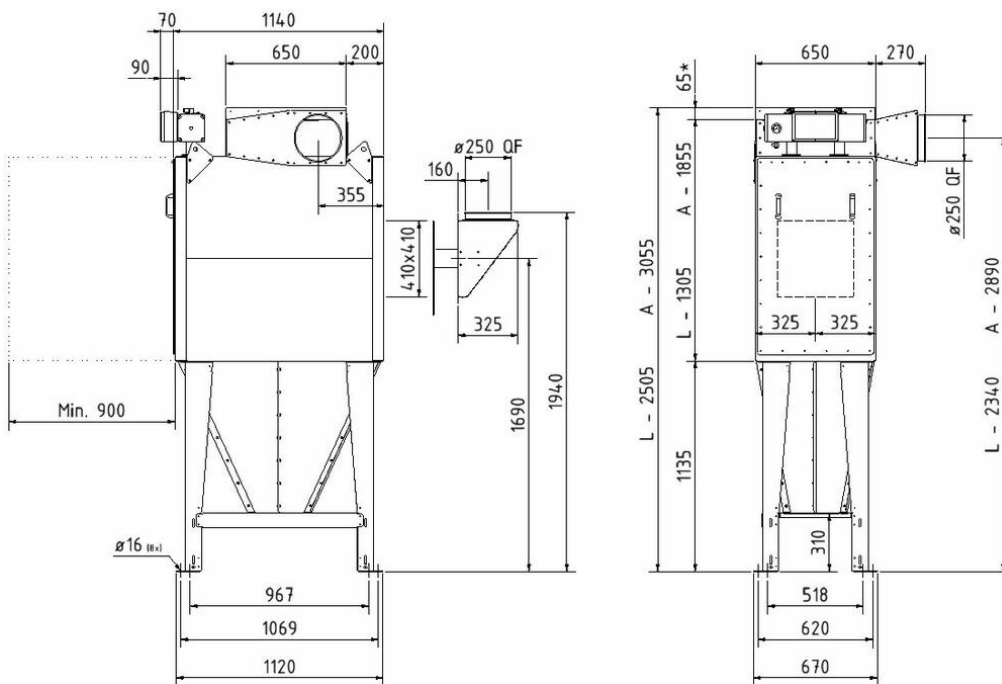
	配件	项目编号
	DUAL silencer for FM1000 series fan with air grille	5501854
	DUAL silencer for FM600 series fan with air grille and rain cover	5501814
	DUAL silencer for FM6800 series fan with air grille and rain cover	5501832
	DUAL silencer for FM1000 series fan with air grille and rain cover	5501855
	DUAL silencer for FM600 series fan with flanged outlet for duct connection	5501815
	DUAL silencer for FM6800 series fan with flanged outlet for duct connection	5501833
	DUAL silencer for FM1000 series fan with flanged outlet for duct connection	5501856
	Isolation box for FM pressure tank, 2 modules	5501317
	Isolation box for FM pressure tank, 4 modules	5501318
	Isolation box for FM pressure tank, 6 modules	5501319
	Isolation box for FM pressure tank, 6 modules	5501320
	Level sensor with beacon, 230V	5504475
	Cable gland M40 for levelsensor	5512245

配件

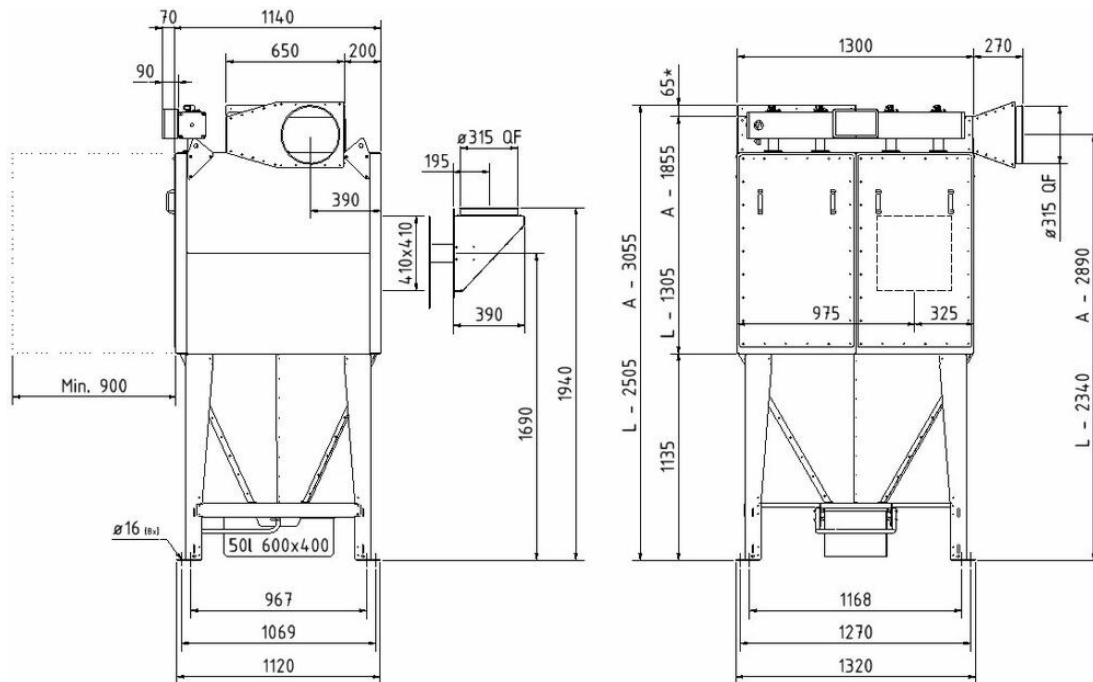
	配件	项目编号
	Noise enclosure for FM600 fan	5501783



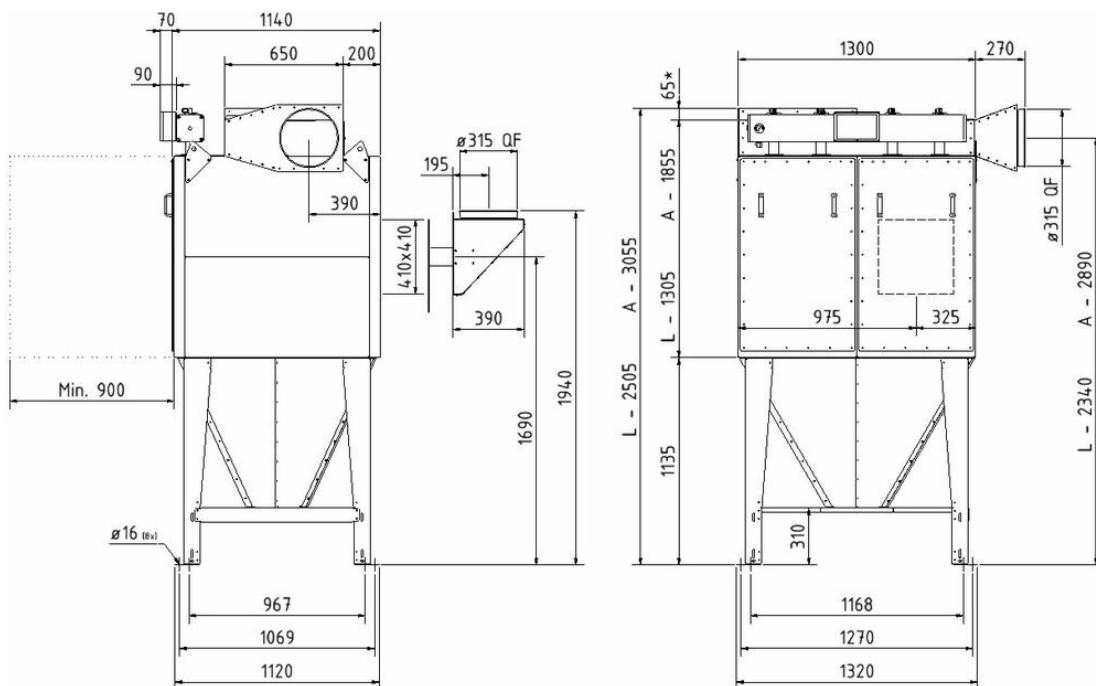
FMC200-2L and 2A with bin for discharge All dimensions in mm. If 50 liter bin with rollers, add 90 mm. * 65 mm to be included at top mounted fan.



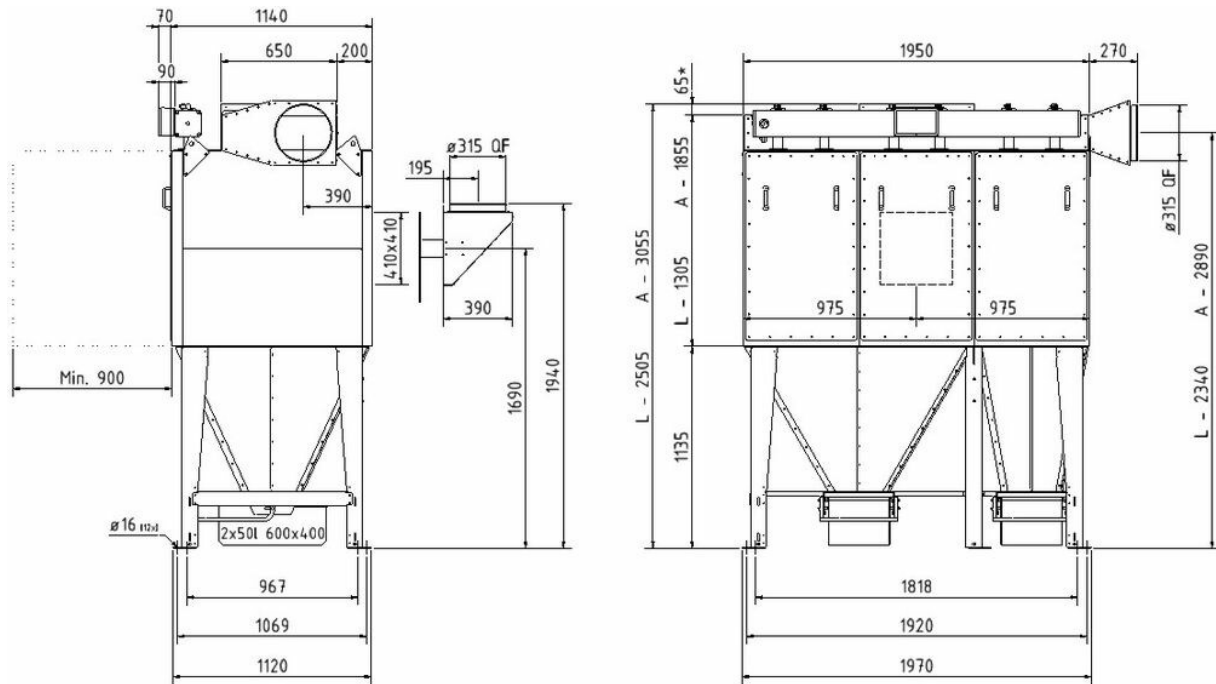
FMC200-2L and 2A hopper with flange for discharge All dimensions in mm. * 65 mm to be included at top mounted fan.



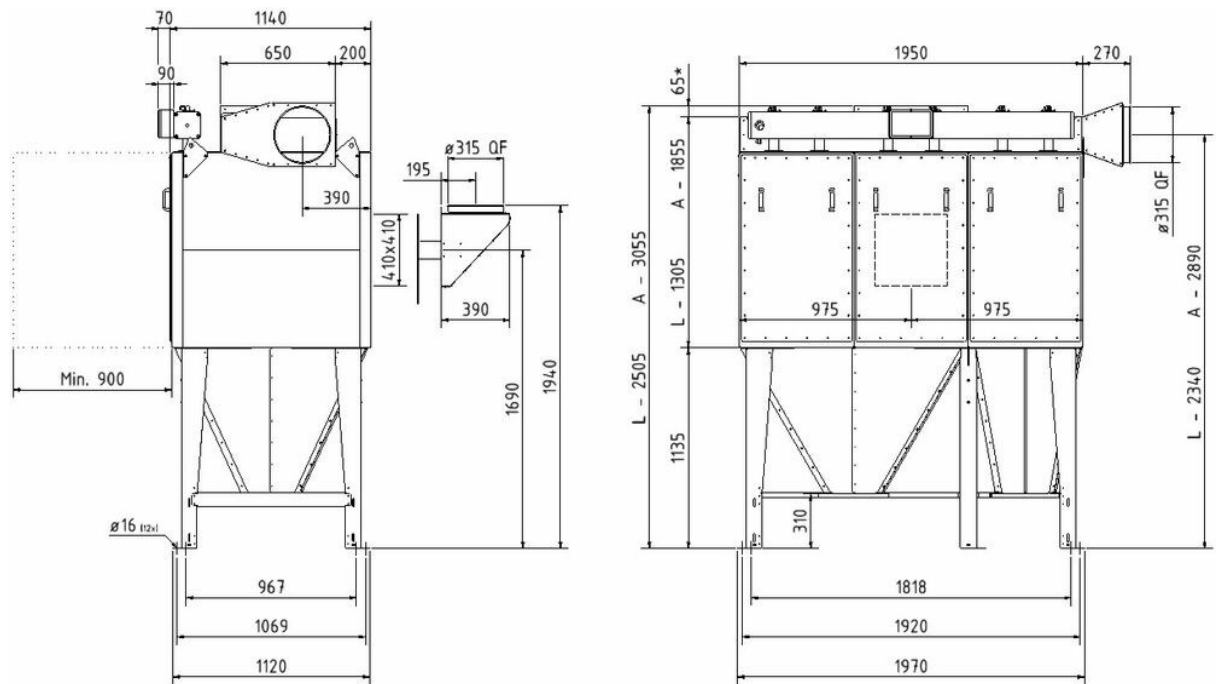
FMC200-4L and 4A with bin for discharge All dimensions in mm. If 50 liter bin with rollers, add 90 mm. * 65 mm to be included at top mounted fan.



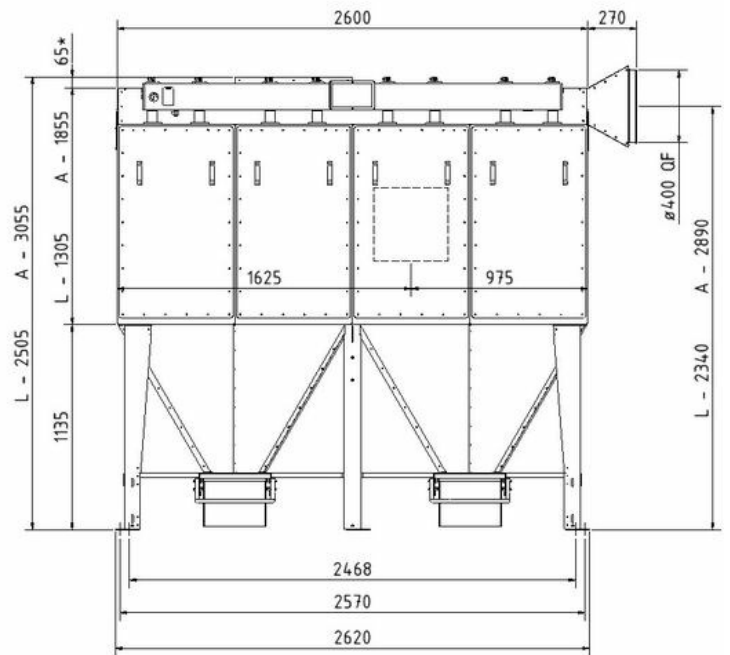
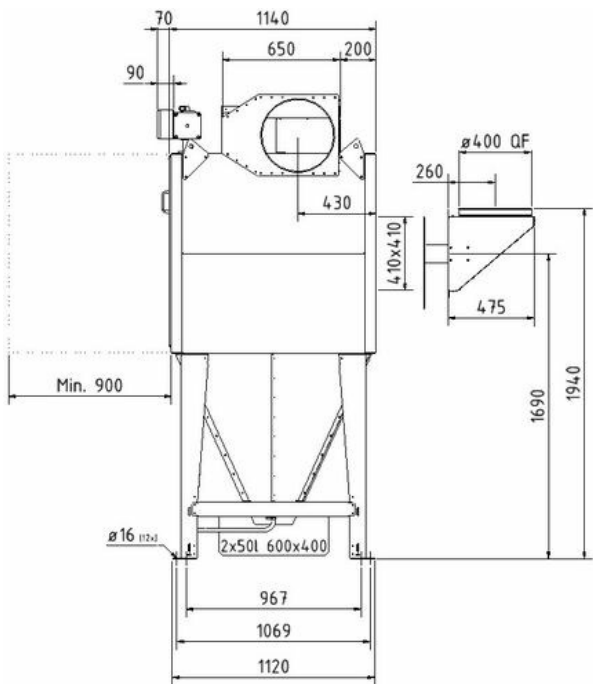
FMC200-4L and 4A hopper with flange for discharge All dimensions in mm. * 65 mm to be included at top mounted fan.



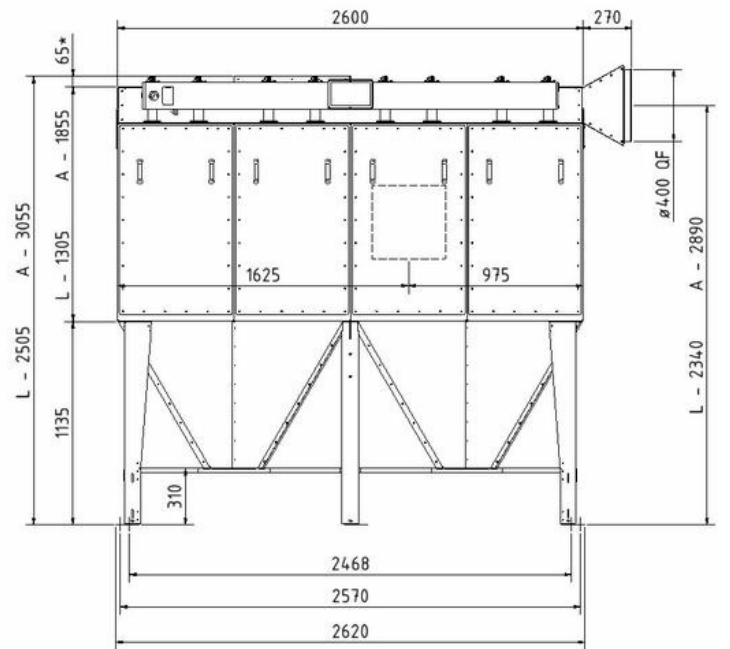
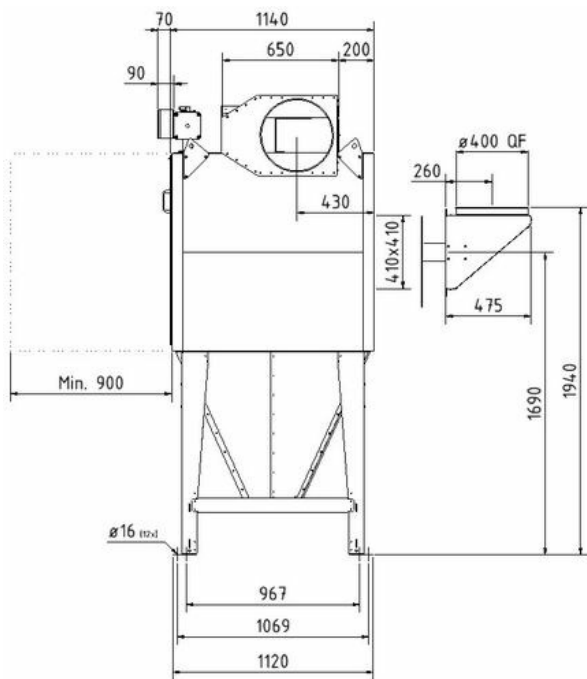
FMC200-6L and 6A with bin for discharge All dimensions in mm. If 50 liter bin with rollers, add 90 mm. * 65 mm to be included at top mounted fan.



FMC200-6L and 6A hopper with flange for discharge All dimensions in mm. * 65 mm to be included at top mounted fan



FMC200-8L and 8A with bin for discharge All dimensions in mm. If 50 liter bin with rollers, add 90 mm. * 65 mm to be included at top mounted fan.



FMC200-8L and 8A hopper with flange for discharge All dimensions in mm. * 65 mm to be included at top mounted fan.

Type	Number of cartridges	Filter area in m ²	Max. air flow in m ³ /h*	Max. amount of ex. membranes	Max. Silo volume** St1 in m ³	Standard no. of ex. membranes Std.***	
						St1	St2
FMCZ200-2L	8	32	3200	5	10	1	2
FMCZ200-4L	16	64	6400	7	15	2	2
FMCZ200-6L	24	96	9600	9	20	2	3
FMCZ200-8L	32	128	12800	11	25	2	3
FMCZ200-2A	8	53	5300	5	10	2	2
FMCZ200-4A	16	106	10600	7	15	2	2
FMCZ200-6A	24	159	15900	9	20	2	3
FMCZ200-8A	32	212	21200	11	25	2	3

* Max. Air flow is dependent on the actual dust type. ** Max. extra possible relieved volume (for St1 dust), when FMCZ200 silo version is mounted directly on a silo. (Attention: this is only an example with system L/D = 1, pred,max = 0,3 bar - special calculation is required for every case). Standard explosion vents 410x410. Filter body and hopper : St1, Kst = max.200 bar x m/s and Pmax = 9 bar. St2, Kst = max.300 bar x m/s and Pmax = 9 bar. St3, Kst = max.600 bar = special order. When ordering please specify: • Dust characteristics Kst and Pmax. • Zone-rating of place for installation (Non-zone or Zone 22) Marking • The St1 version is marked EX II D St1. • The FMCZ200 filter body in the St2 version is marked: EX II D St2. • The marking is based on product certification by FTZU No. 1026