

Spraywall: Dry Andrea AV & Dry Lamella LV

Filter Type	Height mm	Width mm	Ø mm	m ³ /h at 0,5 m/s in the opening	Weight kg	* Pressure loss Pa start
AV1015	1120	1570	450	3200	100	115 / 375
AV1020	1120	2170	450	4400	120	225 / 475
AV1025	1120	2470	450	5000	135	250 / 500
AV1030	1120	3070	450	6200	165	115 / 375
AV1040	1120	4270	2 x 450	8600	205	225 / 475
AV2015	2020	1570	2 x 450	5700	150	250 / 500
AV2020	2020	2170	450	7900	180	500 / 750
AV2025	2020	2470	450	9000	195	625 / 875
AV2030	2020	3070	2 x 450	11200	245	250 / 500
AV2040	2020	4270	2 x 450	1550	300	450 / 700
LV1515	1570	1570	450	4000	160	225 / 475
LV1520	1570	2170	450	5800	200	250 / 500
LV2015	2020	1570	450	5400	194	250 / 500
LV2020	2020	2170	450	7500	225	450 / 700
LV2025	2020	2470	450	8600	275	575 / 825
LV2030	2020	3070	2 x 450	10700	375	250 / 500
LV2530	2470	3070	2 x 450	13000	410	350 / 600
LV3030	3070	3070	2 x 450	16400	440	550 / 800

* Dry filter pressure loss PA 25 / 100

* Filter basket pressure loss Pa 25 / 200



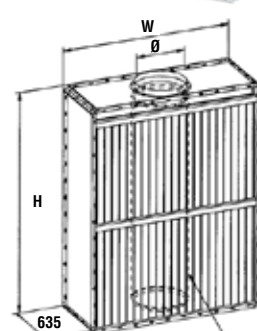
Spraywall Dry Andrea AV



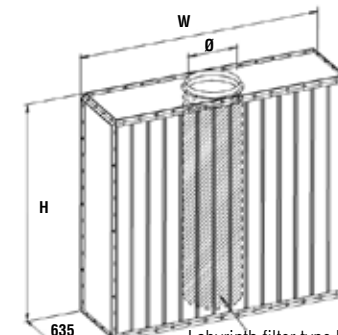
Close up of the "Andrea" disposable filter included in the spraywall dry filter type AV.



Spraywall Dry Lamella Wall type LV



Dry filter type AV.



Labyrinth filter type LV.

Construction:

Nordfab spraywalls are constructed of galvanised steel sheet metal.

Additional Notes

Our spraywall with dry filter type AV is assembled with the "Andrea" disposable filter. The filtering degree is approx. 90% and the filter can absorb up to 20 kg solids per m².

Our spraywall with labyrinth filter type LV is constructed in a way that makes dismantling and cleaning easy, reducing maintenance costs for filter materials.

Recommended max. service temperature is +70°C.

Description

Filterbasket Dia450 L=1830 mm for spraywall type 2020

Filterbasket Dia450 L=915 mm for spraywall type 1120

Andreafilter L=9,2m H=0.9m

If more filtering is desired, a filter basket with replaceable filter mat can be mounted in the spray wall. Hinged side plates with a width of 600 mm can be mounted on the spray wall.

Compliance / Rating of Product Components

Product	Material	Compliance / Rating
Spraywall	Galvanised	DX51D with Z275 Coating
Joka Seal Metal Sealant 2315	Aceton Blend	AAMA Specification 801.1

Temperature Rating of Product Components

	Spraywall
70°C	AV and LV filter type
-20°C	

