

Filter Technical Guide

NFP MINI

Configuration options

Accessories

Technical leaflets



Application:

MINI filter dust collectors are designed for the continuous purification of small amounts of air containing dry dust (wood processing, plastic grinding, etc.). The filtering elements of the dust collectors are cylindrical bags made of non-woven polyester. The bags are cleaned by gravity. The cleaning process can be assisted with the use of a shaker. MINI dust collectors have an open clean air chamber, therefore they are usually used indoors.

Due to their open design, the MINI dust collectors do not pose a risk of explosion and are not subject to the 94/9 / WE (ATEX) directive. The dust that may accumulate in the dust collector must be

considered in the analysis of the risk and consequences of fire.

Data of the dust collector:

Fan power supply	3 - phase
Shaker motor power I [kW]	0,12
Shaker motor power II [kW] *	0,12
Temperature of the dedusted gas [°C]	-10 – (+80)
Environment temperature [°C]	-10 – (+40)
Fan motor power [kW]	2,2 – 7,5
Air volume flow [Nm³/h]	1500 – 5500
Lp A (look the next line)	70 – 84
The A-weighted sound pressure level in dB.	

* Second shaker only for tandem version.

Naming code:

Mini – X/Y/Z – W

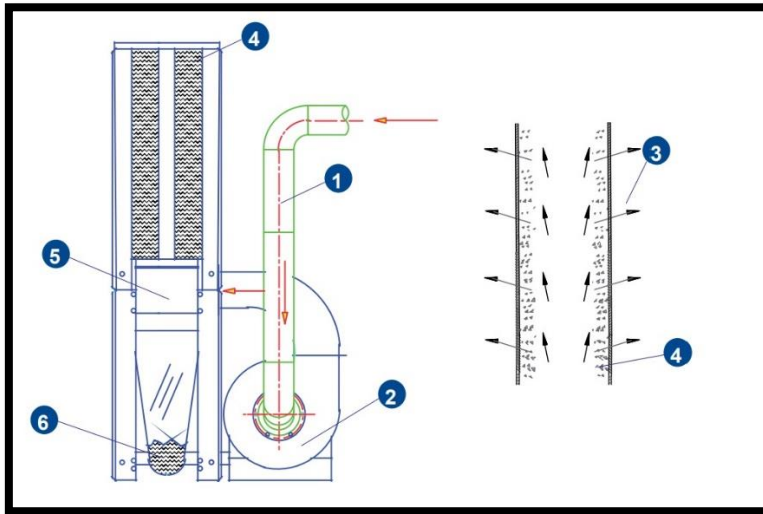
X - quantity of sections

Y - bag's length (M=2105; S=1405)

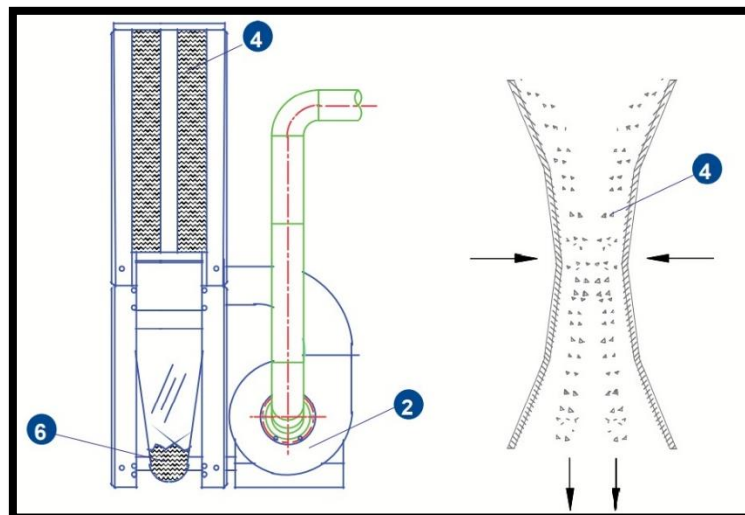
Z – filtration area

W - shaker

How it Works:

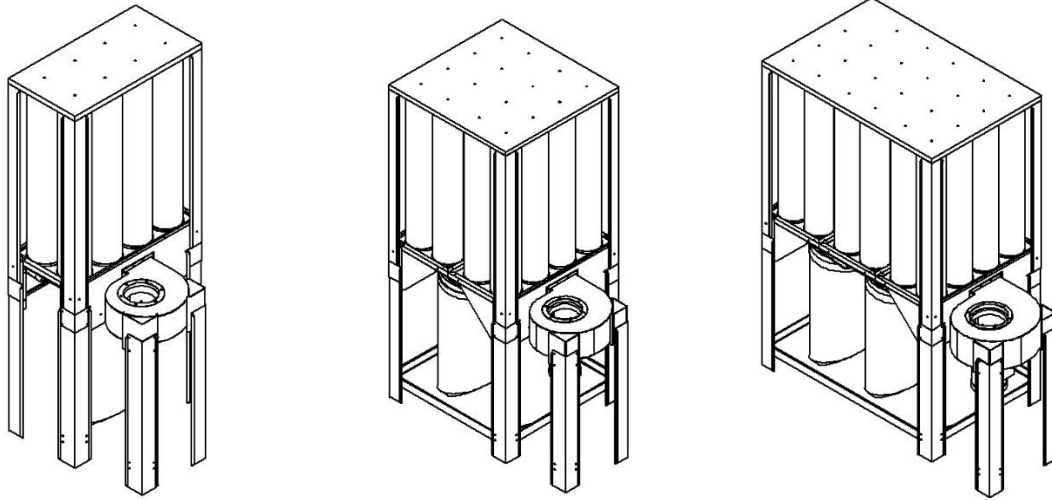


During normal operation, the dust laden air from the plant travels down the supply duct **1**. The dirty air then enters the **2** material handling fan. The dust then enters the hopper section **5** of the filter. As air slows down within the hopper, the heavier dust particles fall down into the inside of the collection bags **6**. The remaining dust then travels up into the inside of the filter bags **4**. The air, which originated from the plant, is now clean and passes through the filter bag into the surrounding atmosphere **3**.



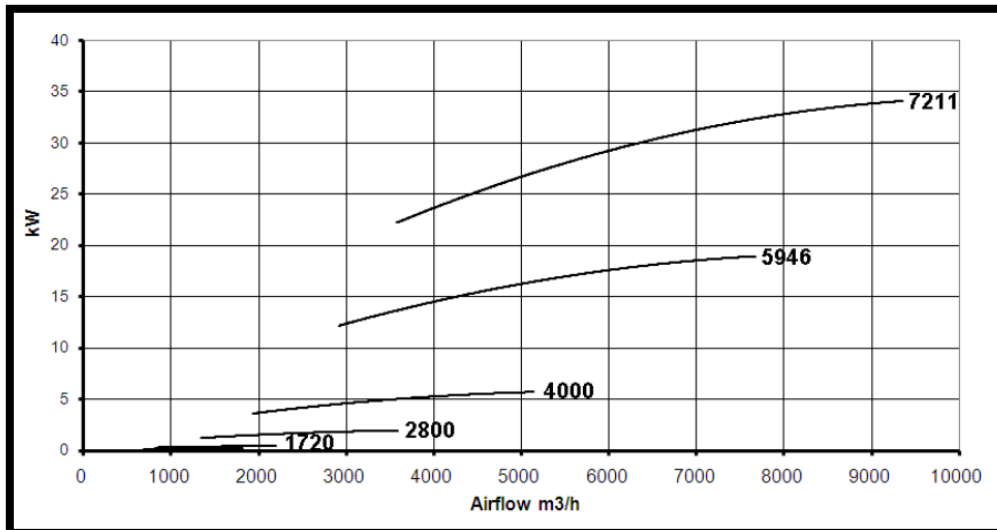
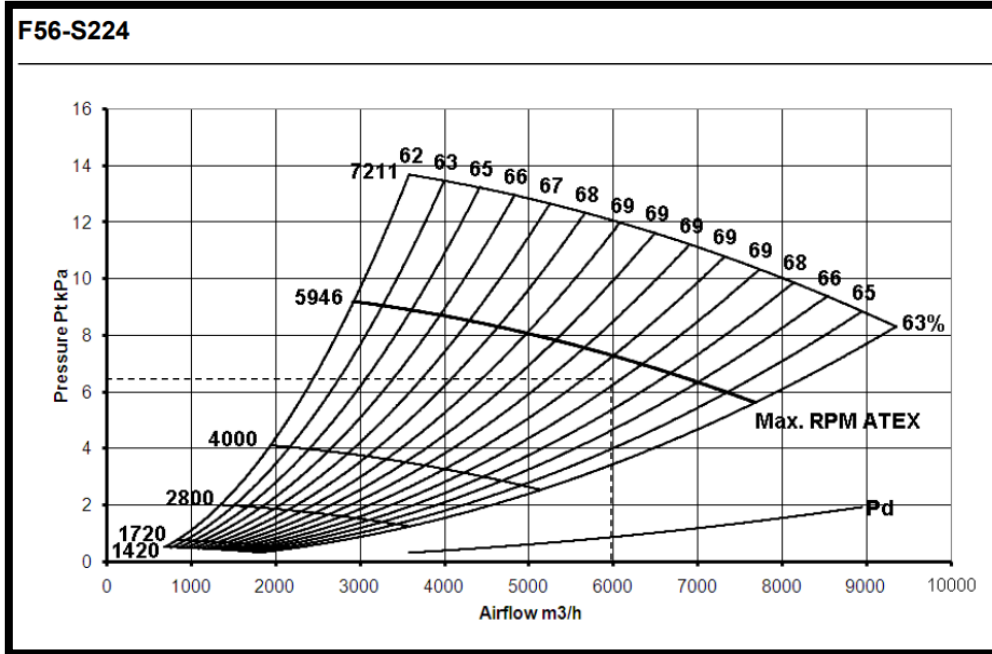
The NFP MINI may only clean “off-line”, when fan **2** has stopped rotating. The NFP MINI is cleaned by applying physical force to the outside of the filter bag **4** which, in effect, shakes them. The dust cake, which hangs on the inside of the filter bag, falls into the hopper section and then into the collection bags below **6**.

Type of NFP Mini:

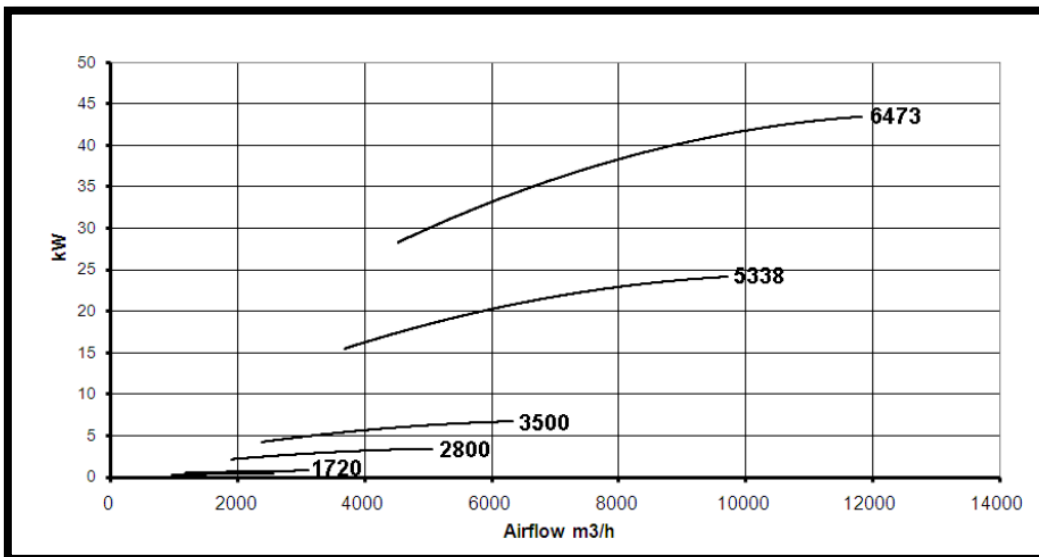
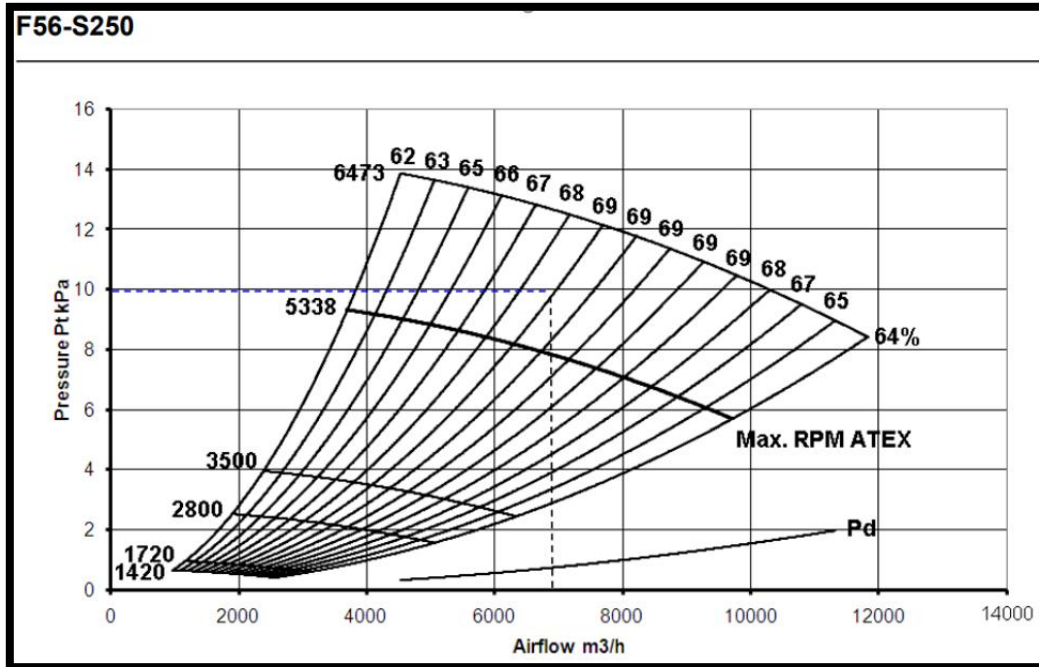


ITEM	FILTER TYPE	AIRFLOW RATE [Nm ³ /h]	QTY. OF SECTIONS	MEDIUM BAG LENGTH [mm]	FILTRATION AREA [m ²]	QTY. OF BAGS	SHAKER	MARKIFAB
73005487	Mini 1/S / 7,5	3500	1	1405	7,5	8	-	-
7994421	Mini 1/S / 7,5-W	3500	1	1405	7,5	8	+	-
73005502	Mini 1/S/7,5	3500	1	1405	7,5	8	-	2,2kW(56-224)
73005503	Mini 1/S/7,5-W	3500	1	1405	7,5	8	+	2,2kW(56-224)
7994451	Mini 2/S/15	4300	2	1405	15	16	-	-
7994452	Mini 2/S/15-W	4300	2	1405	15	16	+	-
7994448	Mini 2 /M/24	4300	2	2105	24	16	-	-
73005506	Mini 2/S/15	4300	2	1405	15	16	-	4,0kW(56-250)
73005507	Mini 2/S/15-W	4300	2	1405	15	16	+	4,0kW(56-250)
7994449	Mini 2/M/24-W	4300	2	2105	24	16	+	-
73005504	Mini 2/M/24	4300	2	2105	24	16	-	4,0kW(56-250)
73005505	Mini 2/M/24-W	4300	2	2105	24	16	+	4,0kW(56-250)
7994467	Mini 3/S/23	5500	3	1405	23	24	-	-
7994468	Mini 3/S/23-W	5500	3	1405	23	24	+	-
73005510	Mini 3/S/23	5500	3	1405	23	24	-	7,5kW(56-280)
73005511	Mini 3/S/23-W	5500	3	1405	23	24	+	7,5kW(56-280)
7994465	Mini 3/M/34	5500	3	2105	34	24	-	-
73005495	Mini 3/M/34-W	5500	3	2105	34	24	+	-
7994477	Mini 3/M/34	5500	3	2105	34	24	-	7,5kW(56-280)
73005509	Mini 3/M/34-W	5500	3	2105	34	24	+	7,5kW(56-280)
73005496	Mini 4/M/48-W	5500	4	2105	48	32	+	-
7994470	Mini 4/S/30	5500	4	1405	30	32	-	-
7994471	Mini 4/S/30-W	5500	4	1405	30	32	+	-
7994480	Mini 4/S/30	5500	4	1405	30	32	-	7,5kW(56-280)
73005512	Mini 4/M/48-W	5500	4	2105	48	32	+	7,5kW(56-280)
73005513	Mini 4/S/30-W	5500	4	1405	30	32	+	7,5kW(56-280)
73005497	Mini 5/M/58-W	5500	5	2105	58	40	+	-
73005498	Mini 6/M/68	5500	6	2105	68	48	-	-
73005499	Mini 6/M/68-W	5500	6	2105	68	48	+	-
73005500	Mini 6/S/46-W	5500	6	1405	46	48	+	-
7994481	Mini 6/M/68-W	5500	6	2105	68	48	+	7,5kW(56-280)

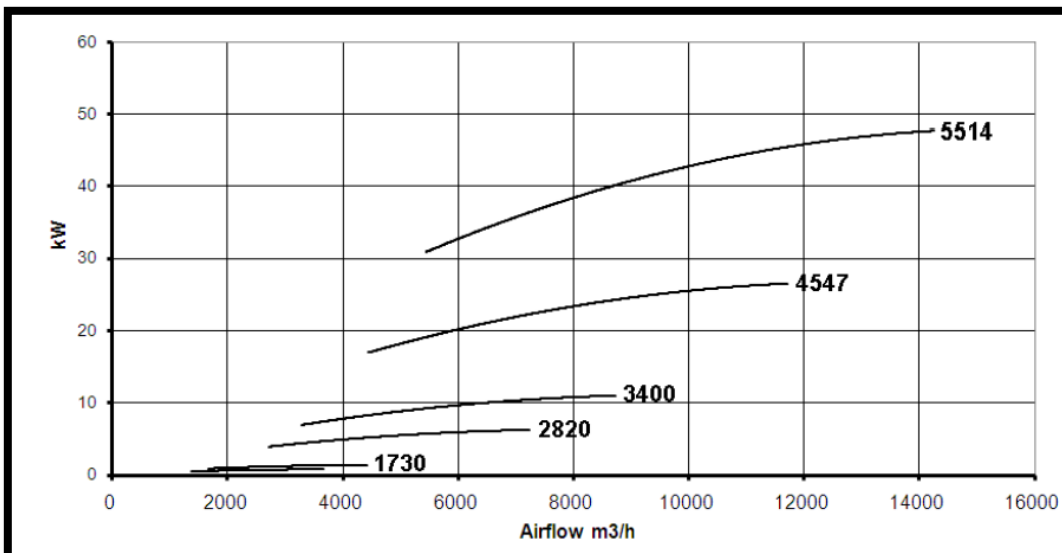
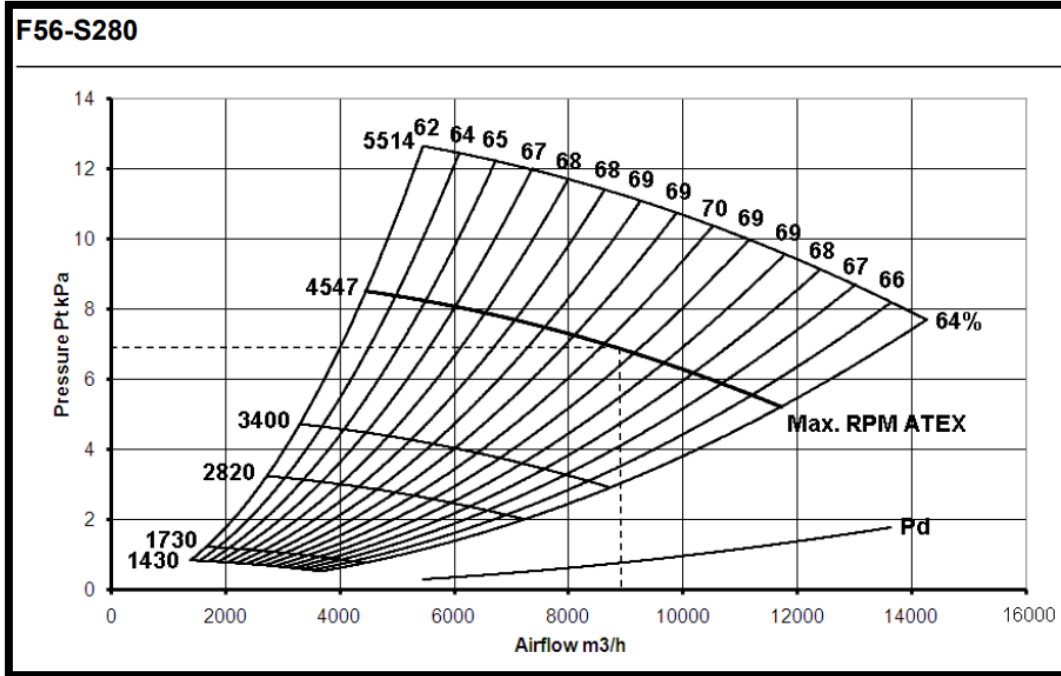
Markifab F56-S224 curves:



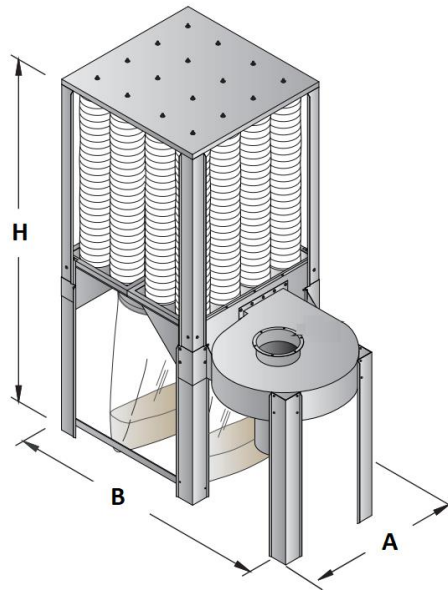
Markifab F56-S250 curves:



Markifab F56-S280 curves:



Dimensions and weights of NFP MINI dust collectors:



ITEM	A [mm]	B [mm]	H [mm]	Mass [kg]
73005487	1172	629	2730	80
7994421	1244	672	2913	107
73005502	1172	1160	2730	130
73005503	1244	1182	2913	157
7994451	1172	1215	2730	127
7994452	1244	1256	2913	163
7994448	1172	1215	3440	134
73005506	1172	1798	2730	180
73005507	1244	1277	2913	216
7994449	1244	1256	3623	171
73005504	1172	1798	3440	193
73005505	1244	1277	3623	224
7994467	1172	1798	2730	161
7994468	1244	1840	2913	206
73005510	1193	2477	2730	233
73005511	1244	2498	2913	268
7994465	1172	1798	3440	168
73005495	1244	1840	3623	214
7994477	1193	2477	3440	234
73005509	1244	2498	3623	285
73005496	1244	2513	3623	274
7994470	1172	2483	2730	256
7994471	1244	2513	2913	314
7994480	1193	2483	2730	354
73005512	1244	3156	3623	336
73005513	1244	3156	2913	377
73005497	1244	3065	3623	372
73005498	1172	3660	3440	340
73005499	1244	3717	3623	420
73005500	1244	3717	3440	430
7994481	1193	4330	3623	530

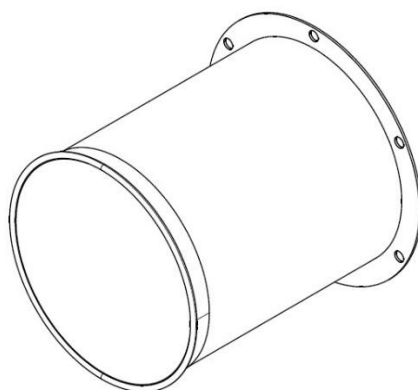
Accessories / spart parts:

NFP Mini version with Bags and Bin



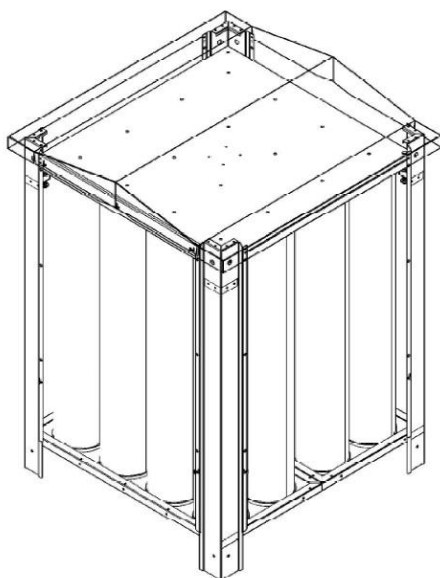
Plastic bag and bin

ITEM	ITEM NAME
73005482	Dust bag mini 1200 x 800 T = 0,15mm
73005479	Bin for Mini -with insp. Windows and wheels
73005480	Bin for Mini -with insp. Windows
73005481	Bin for Mini



Fan inlet adapter to QF Ducting

ITEM	ITEM NAME
73005508	Fan inlet adapter FL224/QF250 1m
73005515	Fan inlet adapter FL250/QF250 1m
73005514	Fan inlet adapter FL250/QF200 1m
7994482	Fan inlet adapter FL280/QF200 L=1m
73005517	Fan inlet adapter FL280/QF315 1m
7994483	Fan inlet adapter FL280/QF350 1m
73005516	Fan inlet adapter FL280/QF250 1m



Filter Bag

ITEM	ITEM NAME
73005484	Filter bag mini "M" L=2105, NF140
73005483	Filter bag mini "S" L=1405, NF140



Control cabinet -Mini with Markifab and shaker

CONFIGURATION	ITEM	ITEM NAME
Markifab 2,2kW + shaker 0,12kW	73004680	5240-1GM11-22041
Markifab 4kW + shaker 0,12kW	73004683	5240-1GM11-40041
Markifab 7,5kW + shaker 0,12kW	73004701	5240-3GM11-75041
Markifab 7,5kW + 2 x shaker 0,12kW	73004710	5240-3GM12-75041

Control cabinet -Mini with Markifab without shaker

CONFIGURATION	ITEM	ITEM NAME
Markifab up to 4kW	73009962	Fan starter DOL for motor 5,5kW
Markifab 7,5kW	73009963	Fan starter Y/D for motor 11kW